

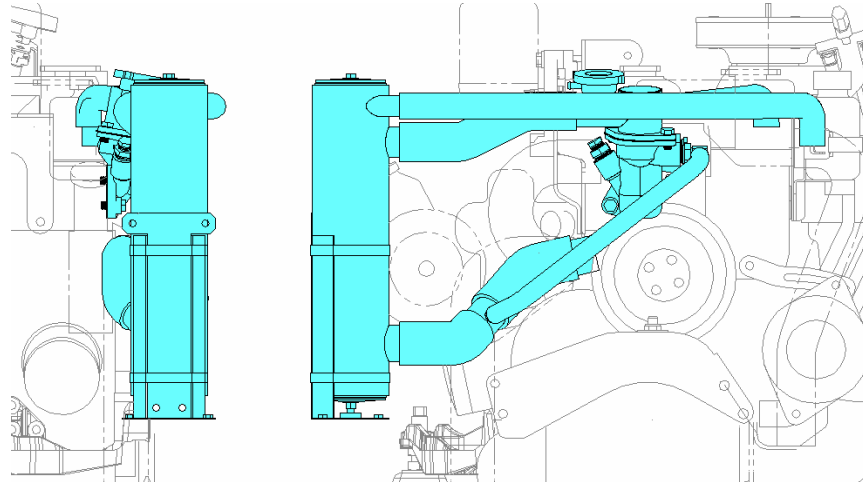
**MONITOR PRODUCTS, INC.**  
15400 Flight Path Dr  
Brooksville, FL 34604  
Tel: 800-334-4591  
Sales: ext 201  
Technical Assistance: ext 209  
Fax: 352-544-0870



3.0L REMOTE MOUNTED  
FRESHWATER COOLING  
KIT SPECIFICATIONS

MRM-5345

## MRM-5345 3.0L REMOTE MOUNTED FRESHWATER COOLING KIT



### **CONVERSION KIT FITS:**

This conversion kit fits most Chevy 3.0L 4-Cyl engine conversions made by the major marine engine manufacturers. See space requirements to confirm that it will fit within the engine compartment.

### **COOLING SYSTEM TYPE:**

Off-engine remote mounted.

Block only. (The engine block protected by freshwater system; the exhaust manifold and exhaust elbow remain on raw water system.)

### **CONVERSION KIT:**

Kit includes heat exchanger, heavy-duty translucent plastic expansion tank plus all other components necessary to complete conversion. Some components from engine are reused. Heat exchanger is powder-coated black. Brackets and other components are powder-coated black, zinc plated, or stainless steel. Hose clamps are all stainless steel.

### **HEAT EXCHANGER:**

Heat exchanger is shell and tube type with special high capacity design. All copper alloy construction made to the highest industry standards. Includes dual demountable end covers for easy clean out.

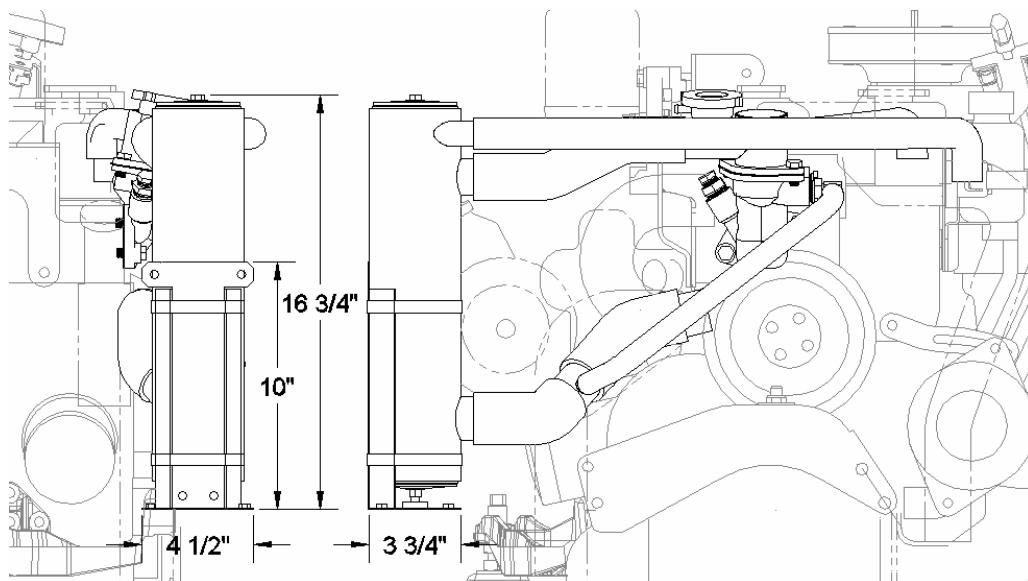
**MONITOR PRODUCTS, INC.**  
15400 Flight Path Dr  
Brooksville, FL 34604  
Tel: 800-334-4591  
Sales: ext 201  
Technical Assistance: ext 209  
Fax: 352-544-0870



**3.0L REMOTE MOUNTED  
FRESHWATER COOLING  
KIT SPECIFICATIONS**

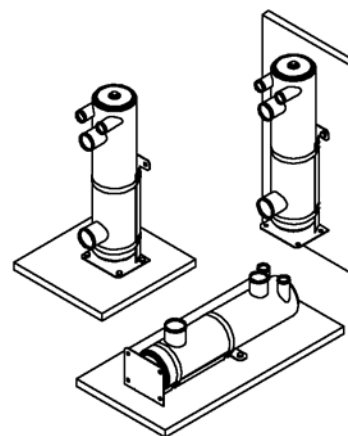
MRM-5345

### **SPACE REQUIREMENT:**



Before purchasing this system, make sure there is enough room in the engine compartment to accommodate the heat exchanger, expansion tank, and necessary components.

Heat exchanger is 3.69" diameter x 17" overall length. Heat exchanger should be mounted as close to the front of the engine as possible. The mounting bracket is included with the kit. **Note: The heat exchanger must be below the level of the filler neck on the thermostat housing.** The heat exchanger may be mounted on any horizontal or vertical surface.



Expansion tank is mounted close to level with the filler neck. Required space is 4" x 6" x 8 1/2". The expansion tank must be mounted as close to the engine as possible.

The mounting locations should not hinder the opening or closing of the hatch. Do not drill into fuel tanks, water tanks, or any other critical areas. Do not contact any belts or fuel lines.

**MONITOR PRODUCTS, INC.**  
15400 Flight Path Dr  
Brooksville, FL 34604  
Tel: 800-334-4591  
Sales: ext 201  
Technical Assistance: ext 209  
Fax: 352-544-0870



3.0L REMOTE MOUNTED  
FRESHWATER COOLING  
KIT SPECIFICATIONS

MRM-5345

### **COOLING SYSTEM CAPACITY:**

The heat exchanger will maintain coolant temperatures in the 160-170°F range using 160°F thermostat included in kit. The system has a cooling capacity safety margin higher than industry standards.

### **HEATER SYSTEM HOOKUP:**

Heaters such as galley water heaters and cabin heaters are not recommended on four-cylinder engines because they may over-cool the engine.

### **INSTALLATION TIME:**

Average installation time is approximately two hours, assuming new engine and normal accessibility. Allow additional time for filling and testing. Installation skills are typical of most do-it-yourself boat owners. Complete illustrated installation instructions are included in kit.

### **WARRANTY:**

Two-year warranty on complete kit. We will not be responsible for labor charges or any indirect or consequential costs or damages.

### **MONEY BACK GUARANTEE:**

Full refund if kit is returned within 30 days in original box and in undamaged condition.

### **PRICE:**

Trade and volume discounts available. Buy through your dealer or direct using Visa, MasterCard, Amex, UPS COD, or Money order.