

MONITOR PRODUCTS, INC.
15400 Flight Path Dr
Brooksville, FL 34604
Tel: 800-334-4591 Sales: ext 201
Technical Assistance: ext 209
Fax: 352-544-0870



GM 4.3L, 5L, 5.7L
FRESHWATER COOLING
KIT SPECIFICATIONS

MFH-5320

MFH-5320 V6-V8 Freshwater Cooling Kit

MFH5320 CONVERSION KIT FITS:

- 1999 – present MerCruiser GM 4.3L, 5.0L and 5.7L (262, 305 and 350 CID) models
- With a single serpentine belt/single-belt (will NOT fit v-belt or multi-belt equipped engines)
- Sterndrive and inboard (EXCEPT V-drive installations)
- For sterndrive applications, the power steering pump should be mounted low on the port side and alternator on the upper starboard side (For engines with the power steering mounted high on the port side and serpentine belt order kit MFH-5230).
- For inboard applications, the alternator should be located on the lower starboard side of the engine.
- Example engines are shown Figures 1-4

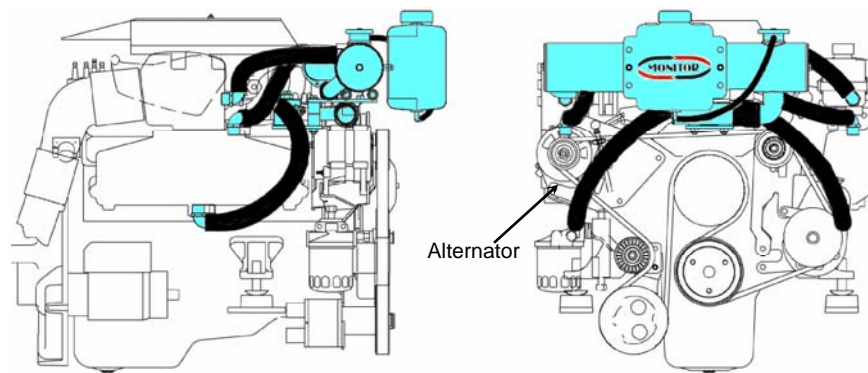


Figure 1

1999-2001 5.7L Carb Sterndrive with Standard Exhaust

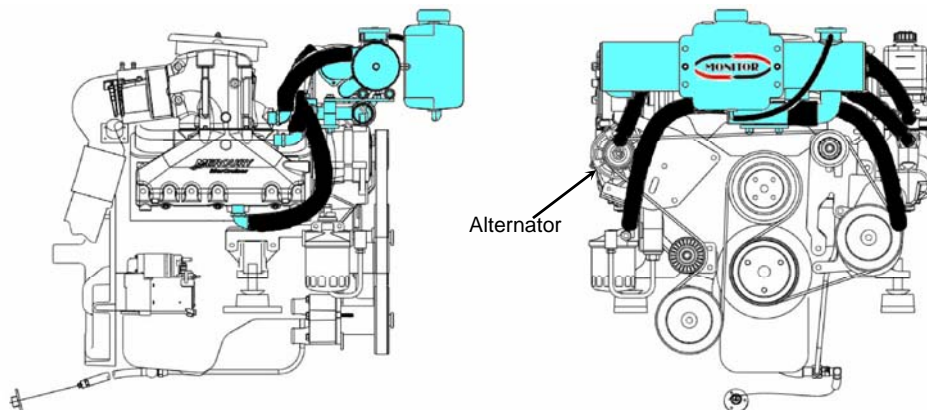


Figure 2

2003 and Newer 4.3L Carb Sterndrive with Dry Joint Exhaust

MONITOR PRODUCTS, INC.
15400 Flight Path Dr
Brooksville, FL 34604
Tel: 800-334-4591 Sales: ext 201
Technical Assistance: ext 209
Fax: 352-544-0870



GM 4.3L, 5L, 5.7L
FRESHWATER COOLING
KIT SPECIFICATIONS

MFH-5320

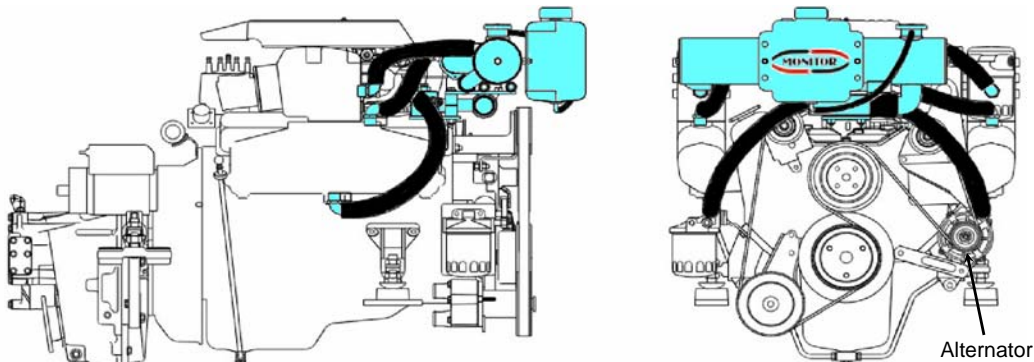


Figure 3

1999-2001 5.7L Carb Inboard with Standard Exhaust

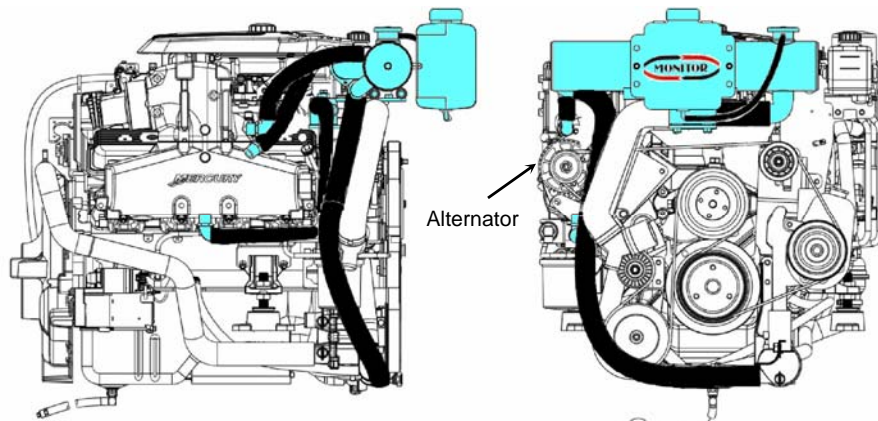
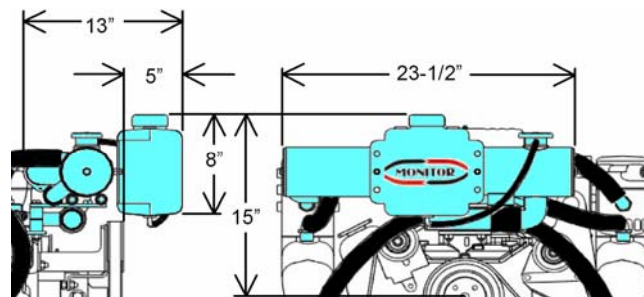


Figure 4

2002 and Newer 350 Mag MPI Sterndrive with Dry Joint Exhaust



SPACE REQUIREMENTS:

Heat exchanger is 4-1/8" diameter x 23-1/2" long and fits within overall length, width, and height of most engine conversions (adds 1-1/2" to overall length of 2001 and newer MPI installations). Heat exchanger extends from extreme starboard side of a normal exhaust manifold towards port side (see Figures 1-4). Plastic expansion tank mounts either on front of heat exchanger or if space is limited on vertical surface next to engine.

MONITOR PRODUCTS, INC.
15400 Flight Path Dr
Brooksville, FL 34604
Tel: 800-334-4591 Sales: ext 201
Technical Assistance: ext 209
Fax: 352-544-0870



GM 4.3L, 5L, 5.7L
FRESHWATER COOLING
KIT SPECIFICATIONS

MFH-5320

APPLICATION NOTES:

MONITOR PRODUCTS, INC supplies two kits, depending on the design of the exhaust system.

- 2002 or newer V8 applications (serial #0M600000 – Above) and 2003 or newer V6 applications (serial #0M615000 – Above) were equipped with an exhaust system termed 'Dry Joint'. Order FWC Conversion kit # MFH-5320-B. This kit includes: two Dry Joint block-off gaskets, a lube oil bracket, a strap, and two fasteners. The Dry Joint gaskets are used on Dry Joint applications only and the lube oil bracket is required to relocate lube oil bottle that is mounted to the inside of the lift eye/power steering bracket (serial#0M640000 – Above) (see Figures 6, 7, and 8).
- Older engines with the Non-Dry Joint require FWC Conversion kit # MFH-5320-A. This kit includes two standard block-off gaskets (see Figure 5).

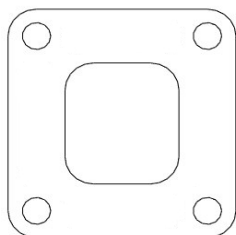


Figure 5

Standard Block-Off Gasket (Included in Kit # MFH-5320-A)

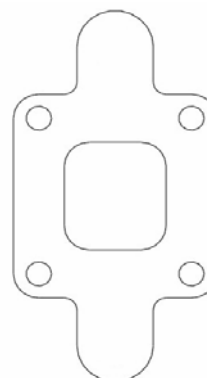


Figure 6

Dry Joint Block-Off Gasket (Included in Kit # MFH-5320-B)

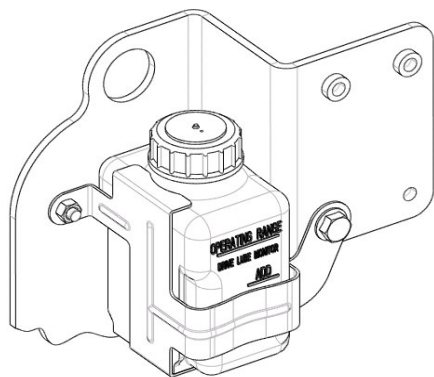


Figure 7

Lube oil bottle mounted on inside face of lift eye bracket.

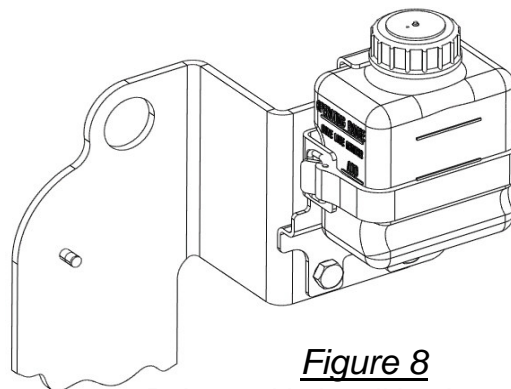


Figure 8

Relocated Lube oil bottle mounted on front face of lift eye bracket using included lube oil bracket, strap and fasteners

MONITOR PRODUCTS, INC.
15400 Flight Path Dr
Brooksville, FL 34604
Tel: 800-334-4591 Sales: ext 201
Technical Assistance: ext 209
Fax: 352-544-0870



GM 4.3L, 5L, 5.7L
FRESHWATER COOLING
KIT SPECIFICATIONS

MFH-5320

COOLING SYSTEM TYPE

This kit is a 'full' fresh water cooling [FWC] system; meaning that the engine block and exhaust manifolds are protected by the system. Exhaust elbows remain on the raw water system. System utilizes a unique, high performance heat exchanger with built-in full flow thermostat bypass control ensuring optimal jacket and exhaust manifold water flow and consistent temperature under all operating conditions. Our FWC systems are specially designed for the low capacity raw water pumps used on sterndrive engines.

CONVERSION KIT

Kit includes heat exchanger, heavy-duty translucent plastic expansion tank, complete instructions all other components necessary to convert a raw water cooled engine to FWC. Some existing water hoses and hose clamps are reused. Heat exchanger, thermostat housing and mounting brackets are finished in black. Fasteners are zinc/cadmium plated or stainless steel. All hose clamps are 3XX series stainless steel.

HEAT EXCHANGER

High-flow, shell and tube design allowing a higher cooling capacity than standard. All copper alloy construction made to the highest industry standards. Includes heavy-duty, dual, demountable end covers for easy clean-out.

COOLING SYSTEM CAPACITY

Will maintain coolant temperatures in the 160-170°F range using 160°F thermostat included in kit. System has cooling capacity safety margin higher than industry standards.

HEATER SYSTEM HOOKUP

Heaters such as galley water heaters and cabin heaters are easily supplied by utilizing the 3/8" NPT fitting on top of the lower heat exchanger bracket for the inlet. The outlet to the heater should be connected to a fitting on the engine circulating pump (normally a 1/2" NPT thread).

INSTALLATION TIME

Average installation time is approximately four hours, assuming new engine and normal accessibility. Allow additional time for filling and testing. Installation skills are typical of most do-it-yourself boat owners. Complete illustrated installation instructions are included in kit.

WARRANTY

Two-year warranty on complete kit. We will not be responsible for labor charges or any indirect or consequential costs or damages.

MONEY BACK GUARANTEE

Full refund if kit is returned within 30 days in original box and in undamaged condition.

PRICE

Trade and volume discounts available. Buy through your dealer or direct using Visa, MasterCard, Amex, UPS COD, or Money order.